

Innovative Combustion Solutions Worldwide

GAS SHUT-OFF VALVES

Eclipse Model 8214C gas shut-off valves are zero-differential, internal pilot operated diaphragm valves. They incorporate a double disc system: the first disc shuts off the gas flow while the second disc closes against the seat after valve stem overtravel, accomplishing proof of closure.

The position indicator provides visual and electrical verification of the valve's open or shut positions.

These normally closed valves have aluminum bodies which must be vertical and upright when mounted. 1/8" N.P.T. upstream and downstream pipe taps with plugs provide easy access for routine testing.

These valves have metal Type 1 general purpose junction box enclosures with 18" leads.

- For use with fuel gas.
- Continuous duty Class F insulation coils are available in volts AC/Hz for:
 - ~ 24/60
 - ~ 120/60, 110/50
 - ~ 240/60, 220/50
 - ~ 480/60
- UL listed; FM approved; AGA, CGA and CSA certified.
- Valve components in contact with fluids:
 - ~ Body: Die-cast aluminum
 - ~ Seals and disc: Buna "N"
 - ~ Core and plugnut: 430F s.s.
 - ~ Core tube: 305 s.s.
 - ~ Springs: 302 s.s.
 - ~ Shading coil: Copper
 - ~ Plug: Zinc-plated steel
- Position indicator components:
 - ~ Reed switch: SPST
 - ~ Switch type: Normally closed
 - ~ Max. electricity: 1 amp, 120 volts/60 Hz, 15 watts resistive
 - ~ Leads: 18" long
 - ~ Enclosure: Type 1 general purpose

*WITH VISUAL INDICATION
& PROOF OF CLOSURE*

MODEL 8214C

***Two Way Normally Closed,
Internal Pilot Operated Aluminum Bodies
3/4" to 3" N.P.T.***

Version 1.0



Eclipse Combustion



Specifications

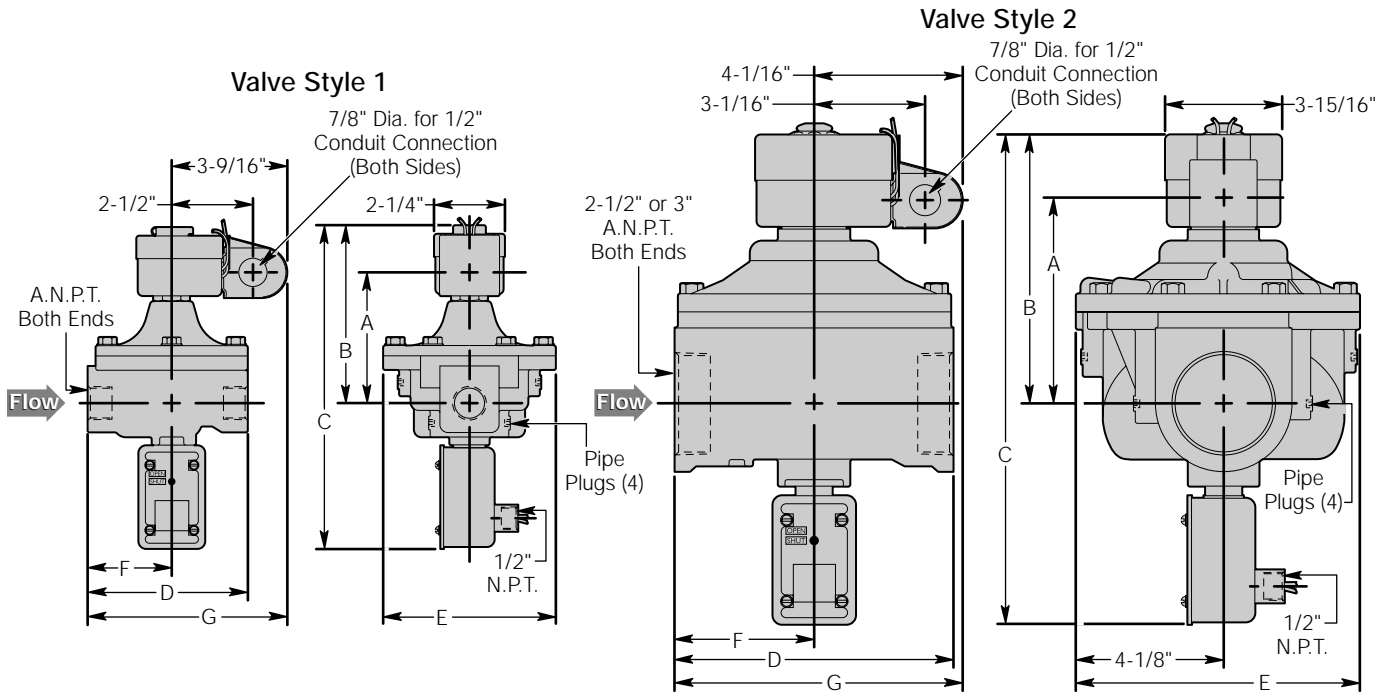
Size, "N.P.T.	Eclipse Model No. ❶	Eclipse Part No.	Cv	Gas Capacity (Btu/hr.) ❷	Operating Pressure Diff. (psi)		Fluid & Ambient Temp. (°F)		Watt Rating	Power Consumption	
					Min.	Max.	Min.	Max.		VA Holding	VA Inrush
3/4	ECI-JB821435C	20449	11	580,000	0	5	-40	125	20.0	43	240
1	ECI-JB821450C	20452	21	1,119,000	0	5	-40	125	20.0	43	240
1-1/4	ECI-JB821460C	20454	32	1,730,000	0	5	-40	125	20.0	43	240
1-1/2	ECI-JB821470C	20456	35	1,900,000	0	5	-40	125	20.0	43	240
2	ECI-JB821480C	20458	60	2,800,000	0	5	-40	125	20.0	43	240
2-1/2	ECI-JB821490C	20460	104	5,765,500	0	5	-40	125	28.2	50	385
3	ECI-JB821440C	20462	105	5,796,000	0	5	-40	125	28.2	50	385

❶ All valve models must be mounted with the solenoid vertical and upright.

❷ For 1"w.c. pressure drop at 2"w.c. inlet pressure, 1,000 Btu/cu. ft. or more, for gas @ 0.64 specific gravity.

Dimensions

Model Number	Size, "N.P.T.	Valve Style	Dimensions, In Inches						
			A	B	C	D	E	F	G
ECI-JB821435C	3/4	1	4-3/16	5-1/2	10-9/16	5	5-3/8	2-5/8	6-3/16
ECI-JB821450C	1	1	4-3/16	5-1/2	10-9/16	5	5-3/8	2-5/8	6-3/16
ECI-JB821460C	1-1/4	1	4-3/16	5-9/16	10-9/16	5	5-3/8	2-5/8	6-3/16
ECI-JB821470C	1-1/2	1	4-3/16	5-9/16	10-9/16	5	5-3/8	2-5/8	6-3/16
ECI-JB821480C	2	1	4-1/2	5-15/16	11-3/16	6-1/8	6-5/16	3-5/16	6-13/16
ECI-JB821490C	2-1/2	2	5-3/4	7-7/8	14-1/4	7-13/16	7-15/16	3-7/8	8
ECI-JB821440C	3	2	5-3/4	7-7/8	14-1/4	7-13/16	7-15/16	3-7/8	8





Offered By:

Power Equipment Company
2011 Williamsburg Road
Richmond, Virginia 23231
Phone (804) 236-3800
Fax (804) 236-3882

www.peconet.com